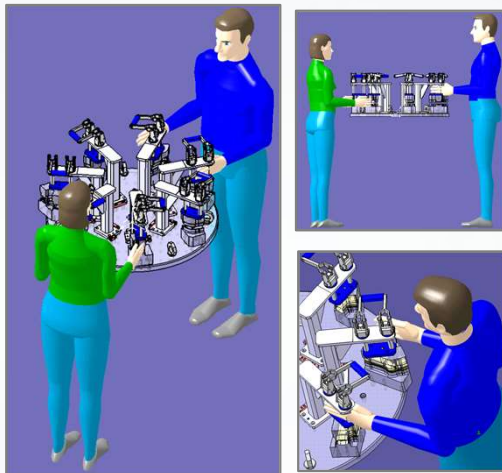


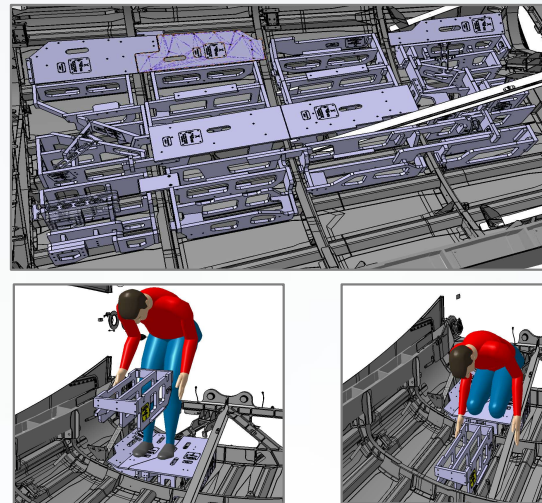
Assembly/Operation and Ergonomics/Safety => Optimization using Virtual Reality

Rotary Welding Machine



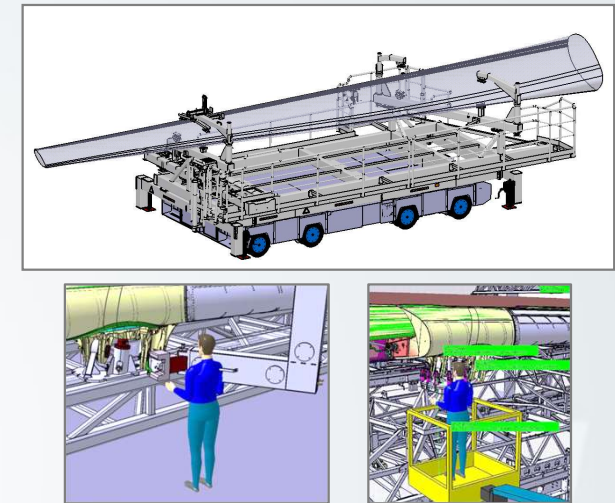
- Interaction between operator and environment
- Handling process and material flow
- Functionality control

Aircraft Assembly with Protective Floors



- Installation and removal of the floor elements
- assembly and movement options
- Safeguarding the assembly sequence

Wing Transportation with Safety Elements



- Execution of various assembly activities
- Application of tools and auxiliary elements
- Accessibility of pick-up points

- Flexible project work possible at home, at the university and/or in our engineering office
- 3D Catia design data based on real customer projects are available
- PiXYZ, Unity 3D, VR glasses incl. controller, Leap Motion are available

Project goals:

- ✓ Visualization of the assembly process and the machine data
- ✓ Presentation of the ergonomic movement possibilities
- ✓ Scalable construction space investigations in user size
- ✓ Practicing maintenance measures on the virtual object

